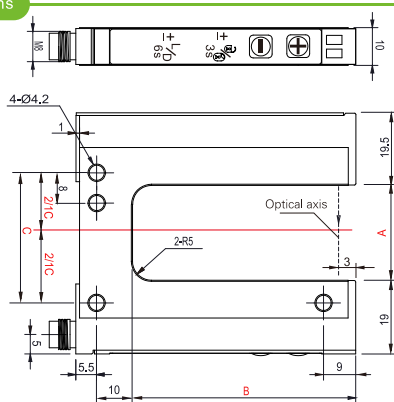


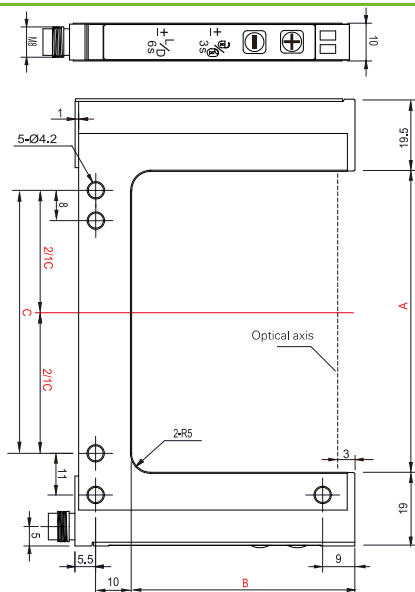
### Appearance

Slot depth	42mm	59mm	59mm	59mm
Slot width	30mm	50mm	80mm	120mm
Sensing distance	30mm	50mm	80mm	120mm
Diameter of the min detector	0.05mm			
Output mode	NPN & PNP dual output			
Switch mode	Selectable L.on/D.on			
Light source	Laser (670nm) modulated light, class1			
Ambient brightness	≤ 10000Lux			
Operating voltage	12~24V DC ± 10%			
No-load current	40mA			
Load current	100mA			
Residual voltage	< 2V@1L=100mA			
Response frequency	10KHz			
Protective circuit	Reverse polarity protection, Output short circuit protection, Interference suppression			
Ambient temperature	-20°C~+50°C			
Storage temperature	-30°C~+80°C			
Degree of protection	IP65			
Shell material	Al, glass			
Connection method	M8 4pin plug			
Weight	55g to 128g			
Model No.	<b>KLM06-0304NP</b>	<b>KLM06-0506NP</b>	<b>KLM06-0806NP</b>	<b>KLM06-1206NP</b>

### Dimensions



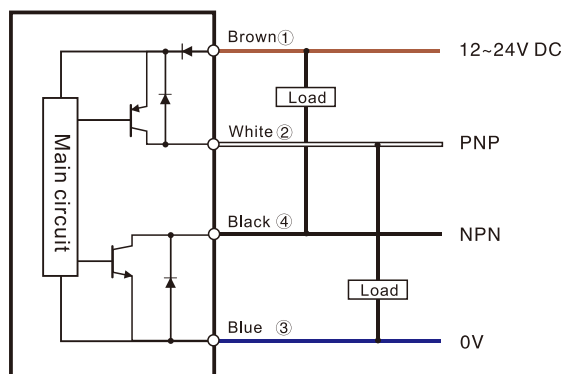
Model number	A	B	C
KLM06-0304NP	30	42	42



Model number	A	B	C
KLM06-0506NP	50	59	40
KLM06-0806NP	80	59	70
KLM06-1206NP	120	59	110

### Circuit diagram

#### NPN/PNP



Fiber Optic

Slot Sensors

Photoelectric

Laser

Proximity

Displacement

Magnetic

Contact

Area

Ultrasonic

Vision

Vibration

Temperature

Annexes

Guidance

Slot type sensors

Micro slot type

Slot type

Wide slot type

Label detection

# Wide Slot Type

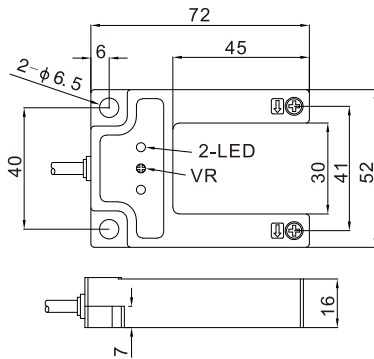
## KIM Series



Appearance	
Detection method	Thru-beam
Sensing distance	30mm
Output mode	NPN and PNP open collector
Switch mode	Selectable L.on/D.on
Standard test object	Opaque objects diameter>2mm
Output instructions	Yellow LED
Response time	≤1ms
Light source	Infrared LED (modulation)
Operating voltage	12~24V DC
Residual voltage	≤2.5V DC
Current consumption	≤15mA
Load current	≤200mA
Protective circuit	Reverse polarity protection, short circuit protection
Ambient temperature	-15°C~+55°C
Withstand voltage	1000V/AC 50/60Hz 1 minute
Shock resistance	10 to 50 Hz with 1.5mm amplitude for 2 hours each in X, Y, and Z directions
Impact resistance	500m/s <sup>2</sup> (50G), 3 times in XYZ direction
Dielectric strength	≥50MΩ/500V DC
Protection degree	IP60
Material method	Aluminum alloy
Connection	2M 4core cable
Model No.	NPN D.on/L.on <b>KIM30-0304N</b> PNP D.on/L.on <b>KIM30-0304P</b>

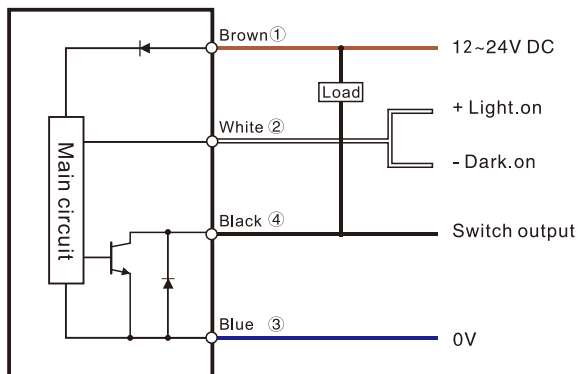
### Dimensions

Unit: mm



### Circuit diagram

#### NPN



#### PNP

